



ICAR – DIRECTORATE OF FLORICULTURAL RESEARCH

COLLEGE OF AGRICULTURE CAMPUS, SHIVAJI NAGAR, PUNE – 411 005, MAHARASHTRA

TENDER DOCUMENT

**Limited Tender Notice: Repairing of existing threshing floor at ICAR-DFR,
Hadapsar (Keshavnagar) Farm**

Contact Details

ADMINISTRATIVE OFFICER

ICAR – DIRECTORATE OF FLORICULTURALRESEARCH

COLLEGE OF AGRICULTURE CAMPUS,

SHIVAJI NAGAR, PUNE – 411 005, MAHARASHTRA

Tel: 020-25537024, Fax:(020) 29710088

Website: **dfr.icar.gov.in**



**भाष कृष अण ढ . ढुष ढलषलन अनुसंधान नलदेशालढ
कृषल ढहाढलघालढ ढरलसर, शलढलकल नगर, ढुणल-411005**

I.C.A.R. - Directorate of Floricultural Research

College of Agriculture Campus, Shivaji Nagar, Pune-411005

Ph. 020-25537024 Fax:(020)25537024(ext-27)Email. ao.dfr@icar.gov.in

F. No. 9-11/2017/DFR

Date: .3.2018

Limited Tender Notice

Repairing of existing threshing floor at ICAR-DFR, Hadapsar (Keshavnagar) Farm

The Director, Directorate of Floricultural Research, on behalf of Secretary, ICAR, Krishi Bhawan, New Delhi invites online limited tenders on the e procurement portal from eligible contractors for work titled above. Quotations duly completed in all respects shall be shall be submitted online on the e procurement portal up to 1100 hrs on 19.03.2018, and the same shall be opened at 1100 hrs on 20.03.2018. Quoted rates must be valid for 60 days from the date of acceptance of the quotation.

Interested contractors may download the quotation from <https://eprocure.gov.in/eprocure/app> and our website <https://dfr.icar.gov.in>.

Quotations need to be submitted online. Hard copy of EMD and Tender Fees received after the due date and time will not be entertained. The Director of the institute reserves the right to accept or reject any or all quotations without assigning any reasons whatsoever. No correspondence shall be entertained in this regard.

Administrative Officer (I/c)

Copy to:

1. Er. Rahul S. Yadav (For uploading the tender on ICAR-DFR website)
2. Dr. Ganesh B. Kadam (For information)

CRITICAL DATA SHEET (SECTION)

TENDER NUMBER	9-11/2017-DFR
DESCRIPTION OF WORK	Limited tender for repairing of existing threshing floor at ICAR-DFR, Hadapsar (Keshavnagar) Farm
TYPE OF TENDER	One Bid System
BID SUBMISSION START DATE AND TIME	09.03.2018 05.00 PM onward
BID SUBMISSION END DATE AND TIME	19.03.2018 upto 11.00 AM
DATE AND TIME OF OPENING OF TENDERS	20.03.2018 at 11:00 AM
OPENING OF BIDS	ICAR – DIRECTORATE FLORICULTURAL RESEARCH COLLEGE OF AGRICULTURE CAMPUS, SHIVAJI NAGAR, PUNE – 411 005, MAHARASHTRA
BID VALIDITY	60 days from the date of Bid opening
EMD	Rs.8,000/- (Rupees Eight Thousand Only) in the form of Demand Draft/ Bankers Cheque in favour of Director,DFR , payable at Pune.
EMD VALIDITY	120 days from the date of Technical bid opening
SECURITY DEPOSIT (SD)/PERFORMANCE BOND (PB)	10% of the total contract value (Annually)/Bank guarantee /FDR in favour of Director,DFR, Pune
VALIDITY OF SD/PB	6 months after the completion of the work
SUBMISSION OF BIDS	Online bids to be uploaded on CPP Portal (www.eprocure.gov.in/eprocure/app) from 09.03.2018 to 19.03.2018 upto 11.00 AM. Hard Copy of the EMD, Tender Fees to be submitted to ICAR – DIRECTORATE FLORICULTURAL RESEARCH, COLLEGE OF AGRICULTURE CAMPUS, SHIVAJI NAGAR, PUNE – 411 005, MAHARASHTRA before the closing date and time of the tender i.e 19.03.2018 upto 11.00 AM
Details of tender	Tender Documents and Notice is also available on ICAR-DFR website www.dfr.icar.gov.in

Administrative Officer (I/c)



**भात कृष अण ढण . ढुषु ढलऑान अनुसंधान नलदेशालय
कृषल महावलद्यालय ढरलसर, शलवाऑी नगर, ढुणे-411005**

I.C.A.R. - Directorate of Floricultural Research

College of Agriculture Campus, Shivaji Nagar, Pune-411005

Ph. 020-25537024 Fax:(020)25537024(ext-27)Email. ao.dfr@icar.gov.in

F. No. 9-11/2017-18/DFR

Date: .03.2018

To

Limited Tender For Repairing of existing threshing floor at ICAR-DFR, Hadapsar (Keshavnagar) Farm

IMPORTANT DATES

Last date for receiving the quotations : Up to 1100 hrs. on 19.03.2018

Date of opening of quotations : At 1100 hrs. on 20.03.2018

Date of completion of work : 08 days from award of work

The following documents are to be enclosed along with the tender failing which the tender shall be rejected out rightly:

1. A copy of PAN Card
2. Copy of GST Registration
3. Self attested declaration on company's letterhead that the firm has not been blacklisted.
4. **Rs. 8,000/- (Rupees Eight Thousand Only)** in the form of crossed demand draft drawn in favour of "Director, DFR, payable at Pune".
5. A copy of contractor's registration if any with government organization
6. A Photostat (i. e Xerox) copy of blank cheque for making payment by RTGS method.

INSTRUCTIONS TO BIDDERS, TERMS & CONDITIONS OF CONTRACT FOR EXECUTION OF WORKS

1. Online bids are hereby invited on behalf of the Secretary, Indian Council of Agricultural Research for Limited Tender For Repairing of existing threshing floor at ICAR-DFR, Hadapsar (Keshavnagar) Farm. The terms and conditions of the contract, which will govern, are those contained in below. Please submit your rates in the tender form if you are in a position to furnish the requisite services in accordance with the requirements as detailed below. **Please submit your bids online along with all other documents as required in the tender. The tender fees and EMD need to be submitted both online and in hardcopy form at ICAR-DFR College of Agriculture Campus, Shivajinagar, Pune before tender closing date.**
2. The firm is being permitted to e-tender in consideration of the stipulations on its part that after submitting tender, it will not withdraw from offer or modify the terms and conditions thereof. If the firm fails to observe and comply with the foregoing stipulation the aforesaid amount of EMD will be forfeited by ICAR-DFR. In the event of the offer made by the firm not being accepted, the amount of earnest money deposited by the firm.
3. The hard copy of EMD/Tender Fees must be sent to the following address “**The Director, ICAR – Directorate Floricultural Research, College Of Agriculture Campus, Shivaji Nagar, Pune – 411 005, Maharashtra.** EMD/Tender fees must be submitted either by registered/speed post or may be dropped in the tender box placed in the office of the Administrative Officer, ICAR-DFR, Pune in a sealed cover superscribing on it the name of work for which the quotation is called for, and also the date & time of submission.
4. Quotations received after due date and time shall not be entertained.
5. The quoted rates must be valid for 60 days.
6. Contractor/ agency should be experienced in above said work.
7. The quotation should be accompanied by an Earnest Money Deposit (EMD) amounting to **Rs. 8,000/- (Rupees Eight Thousand Only)** in the form of crossed demand draft drawn in favour of "**Director, DFR, payable at Pune**".
8. The EMD of successful bidder shall be converted into a part of security deposit. The EMD of unsuccessful bidders will be returned within 15 days from the date of award of work to successful bidder.
9. The successful bidder has to pay Security Deposit amounting to 10% of the quoted amount. The security deposit will be released only after six months from the date of successful completion of work.
10. The defect liability period is 6 months. Any defect arising in the defect liability period is to be rectified by the contractor without any extra cost, failing which the same shall be done departmentally at the "**risk and cost**" of the contractor and the amount of expenditure shall be deducted from the security deposit.
11. The quoted rates should be inclusive of cost of material, carriages, fixing, all taxes whatsoever, storage, watch and ward, wastages, etc. The quoted rates shall not be increased under any circumstances.
12. Income tax will be deducted at source from the bill as per rules.
13. The Institute will not supply any tools, equipments and materials. The contractor has to make their own arrangement.
14. The EMD submitted by the bidder is liable to be forfeited by the Institute, if the selected firm/bidder fails to commence the work within two days from the date of receipt of work order.

15. The work must be completed within the specified time period, failing which a penalty up to 5% of the tendered amount per month computed on per day basis will be charged.
16. Works are to be executed strictly as per the specifications mentioned in the tender document failing which work shall be rejected. The Payment for completed work is based on actual measurement of quantities of work.
17. The material used must be approved by the officer In-charge (Works)/ site in-charge before using failing which works shall be rejected.
18. The agency has to abide by all rules and regulations pertaining to labour act. The contractor has to take all necessary steps for the safety and welfare of labours employed by him at the site.
19. The agency will be fully responsible for providing medical facilities to their labourers in case of any accident, etc. Matters related to labour welfare/problems should be dealt by the contractor only. ICAR-DFR, Pune shall not be responsible in such matters.
20. Taxes, if any, should be clearly mentioned in the quotation, failing which it will be presumed that the quoted rates are inclusive of all taxes. No additional tax will be allowed if the same is not mentioned in the quotation document.
21. The tenders/bidders in their own interest are instructed to visit the site for understanding the site conditions, nature of work, etc.
22. The Director, ICAR-DFR, Pune reserves the right to accept or reject any or all tender / all tenders without specifying any reason whatsoever. No correspondence shall be entertained in this regard. The decision of the Director, ICAR-DFR shall be final and binding on all concerned in such matters.
23. This notice is also displayed of ICAR-DFR, Pune website: dfr.icar.gov.in
24. Rough design is enclosed for reference purpose only.

Yours sincerely,

Administrative Officer (I/c)

TECHNICAL Details
(To Be Submitted Online on procurement portal)

Limited tender for Repairing of existing threshing floor at ICAR-DFR, Hadapsar (Keshavnagar) Farm

1. Name of the Firm : _____
Name of person whom to be contacted: _____
2. Full Address : Permanent _____
Present : _____
3. E-mail : _____
4. Mobile No. _____ Land Line No. Code ____ No. ____

Sr. No	Documents(Strictly as per details below	To be filled by Bidder	Page Number
1.	A copy of contractor's registration if any with government organization		
2.	A copy of PAN Card		
3.	A Photostat (i. e Xerox) copy of blank cheque for making payment by RTGS method.		
4.	Self attested declaration on company's letterhead that the firm has not been blacklisted.		
5.	Copy of GST Registration		
6	Rs. 8,000/- (Rupees Eight Thousand Only) in the form of crossed demand draft drawn in favour of " Director, ICAR-DFR, payable at SBI, Pune ".		

I/We agree to forfeit of the earnest money if I/We fail to comply with any of the terms and conditions in whole or in part laid down in the Tender form. I/We have carefully read the terms and conditions of the Tender and are agreed to abide by these in letter and spirit. I/ we hereby undertake that we shall make good the loss / damage to DFR property, if caused due to negligence on our part. I/we also agree that the decision of the Director, DFR in this regard as well as the matter of dispute arising due to the provision of this contract shall be final and binding on me / us. I/we undertake not to make any representation against the decision of the Director, DFR.

Place:
Date:

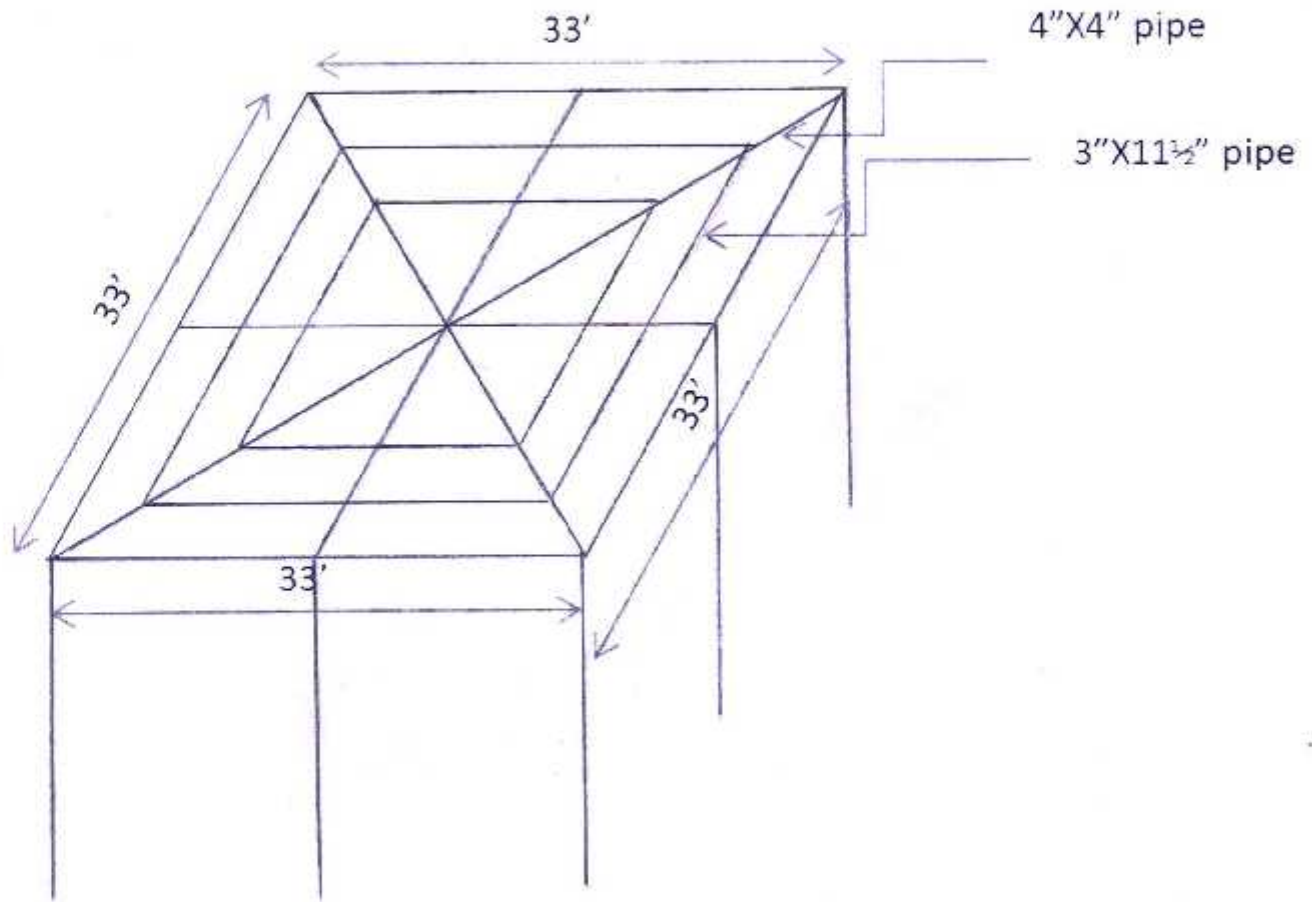
Signature: _____
Name of the Signatory: _____
Name & Address of the Firm with Seal : _____
Telephone No. : _____
Mobile No. : _____

ANNEXURE-B
(To Be submitted Online IN XLS format)

FINANCIAL BID
(to be submitted online in .xls format)

Sr.No	Description of Item	Quantity	Rates in Rupees
1.	Providing and laying in Situ Cement Concrete M-10/(1:3:6)of trap/Granite/Quartzite/genesis. Metal for foundation and bedding including plywood/steel formwork bailing out water compacting finishing uneven and honeycombed surface curing etc. complete. The Cement Mortar 1:3 Plaster is considered for rendering uneven and honeycombed surface only.	2Cumt	
2.	Providing structural steel work in trusses, other similar trussed purlins and members with all branching, gusset plates etc. as per detailed design and drawing or as directed including cutting, fabricating, hoisting, erecting fixing in position, making riveted /bolted/welded connection and one coat of anticorrosive paint and over it two coats of oil painting of approved quality and shade complete.	1.75 MT	
3.	Providing and fixing UV stabilised Poly Carbonate Sheet with Aluminium Strip and fixtures	1300 Sqft	
4.	English fence (wooden) length: 116 feet, height- 3 ^{1/2} feet made up of recycled packing wood of good quality	length: 116 feet, height- 3 ^{1/2} feet	
5.	Provision for two LED flood lights on inner roof	02 quantity	
2	Taxes		
3	Grand Total		

Rough Design (for Reference purpose)



English Fence (wooden)
As per point 4 of price bid
(for reference purpose)

